

## RP35 Si



RP35 Si is a medium duty automatic door bottom seal which is spring loaded to lift clear off the sill as soon as the door leaf is opened. Acoustically designed for face mounted and semi-morticed applications. It is operated automatically by pressure against the door jamb on its adjustable strike block.

**Location** Solid core single and double, butt hinged doors.

**Min/Max Gap** 1mm to 13mm.

**Seal Sizes** 1220mm, 1070mm, 920mm, 820mm, 600mm, 380mm to 295mm(min). Seals cut back to exact size.

**Standard Finish** Aluminium anodised 15 microns. Satin Clear (Silver) or Bronze finish.

**Seal Material** Silicon Rubber (SE) (Grey) with rigid PVC cover strip (Grey).

**Fixing Method** Zinc plated, cross recess S.T. screws and colour matched escutcheon plates supplied.

**Replacement Seal** RP308 Si.

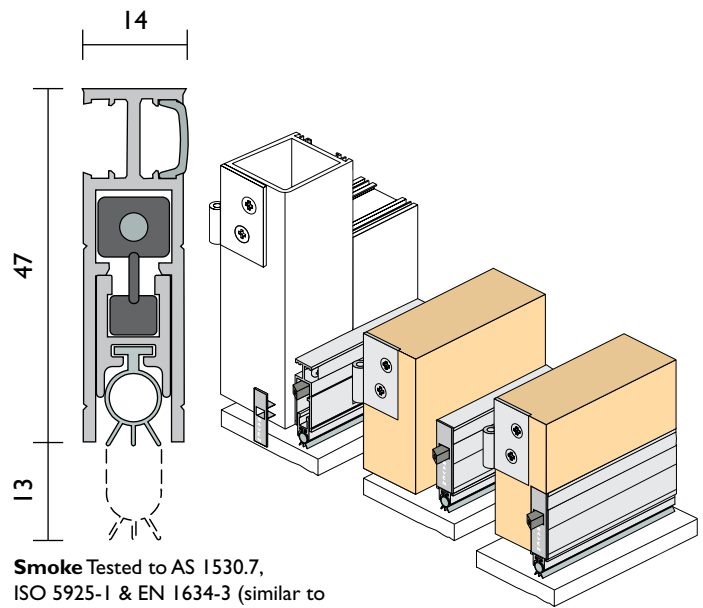
### Approvals

**Acoustic** UK/EU: Conforms to Approved Document E. Approved to BS EN ISO 140.3, BS EN ISO 717.1, BS 2750 & BS 5821.

**Fire & Smoke** AUS/NZ: Meets NCC BCA Spec. C3.4 for fire & smoke doors. Approved to AS 1530.4 & AS/NZS 1905.1. Meets requirements of NZ BC Compliance Doc. C/AS1 6.19.2 & App. C6.1.1.

UK/EU: Conforms to Approved Document B. Approved to BS 476 Pt. 20 & 22 (similar to BS EN 1634-1). Approved on fire rated doors up to **FRL & FRR-/240/60 and FD240** 🔥 Gasket flammability index 1 when tested to AS 1530.2.

**Patented, Registered Design.**



**Smoke** Tested to AS 1530.7, ISO 5925-1 & EN 1634-3 (similar to BS 476 section 31.1). Meets smoke leakage rates specified in AS 6905 & EN 13501-2 "Sa", "Sm".

**Durability** Tested to over 1,000,000 operating cycles without failure.

**Energy** Complies with NCC BCA Pt. 3.12.3.3 & J3.4 for Building Sealing and Energy efficiency.

## RP38



A heavy duty automatic door bottom seal which is spring loaded to lift clear off the floor as soon as the door leaf is opened by a few millimetres.

The seal is operated automatically by pressure against the door jamb on the adjusting screw. It seals when the door closes and retracts automatically when the door is opened. It is self levelling.

This aesthetic seal, incorporating a kick plate, is installed into a solid core door in a semi-morticed manner. It is adjustable for left and right handed operation.

**Location** Single or double butt hinged door bottoms. Minimum door thickness 50mm for rebated meeting stiles and 40mm for plain meeting stiles (for semi mortice).

**Min/Max Gap** 3mm to 13mm.

**Seal Sizes** 1500mm, 1220mm, 1070mm, 920mm, 610mm, 450mm to 300mm (min). Seals cut back to exact size.

**Standard Finish** Aluminium anodised 15 microns. Satin Clear (Silver) or Bronze finish. P.E. Paint (at extra cost, refer [page 3](#)).

**Seal Material** EPDM Sponge (SE) (Black).

**Fixing Method** Zinc plated, cross recess S.T. screws of the appropriate size and colour are supplied. Escutcheon plates supplied.

**Adjustment** Has screw for sealing action adjustment.

**Replacement Seal** RP338.

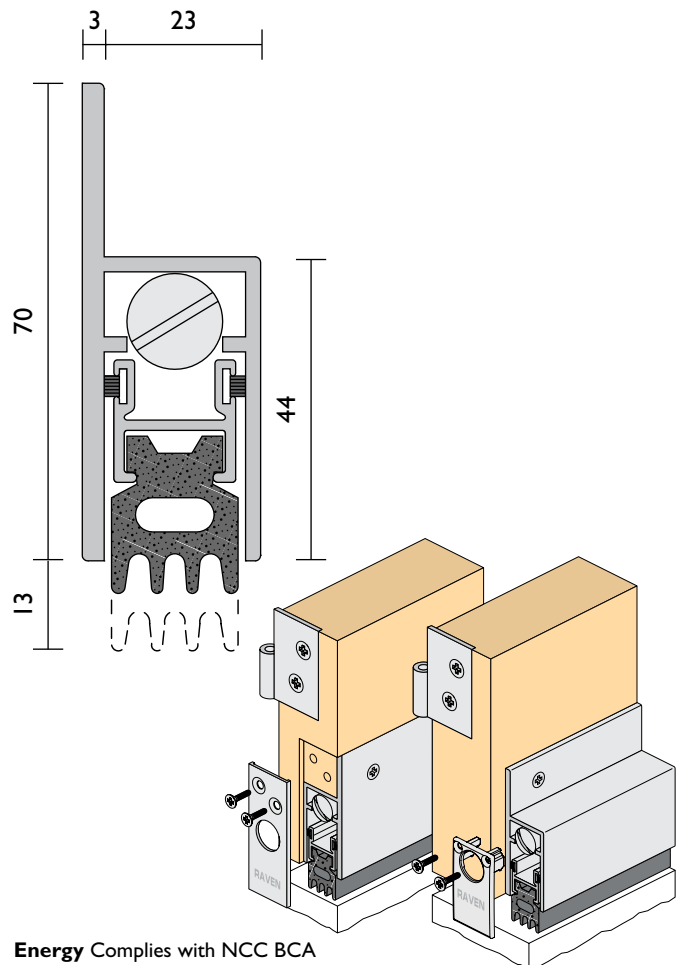
### Approvals

**Acoustic** AUS/NZ: Conforms to NCC BCA Spec. F5.5. Approved to AS 1191, AS 1045 & AS/NZS 1276. UK/EU: Conforms to Approved Document E. Approved to BS EN ISO 140.3 (similar to BS EN ISO 717.1, BS 2750 & BS 5821).

**Fire & Smoke** AUS/NZ: Meets NCC BCA Spec. C3.4 for fire doors. Approved to AS 1530.4 & AS/NZS 1905.1. Meets requirements of NZ BC Compliance Doc. C/AS1 6.19.2(a) & App. C6.1.1.

UK/EU: Conforms to Approved Document B. Approved to BS 476 Pt. 20 & 22 (similar to BS EN 1634-1). Approved on fire rated doors up to **FRL & FRR-/120/30 and FD120** 🔥 **Durability** Tested to over 1,000,000 operating cycles without failure.

**Patented.**



**Energy** Complies with NCC BCA Pt. 3.12.3.3 & J3.4 for Building Sealing and Energy efficiency.